

SERIE RWR

Rewinder for self adhesive labels



RWR is a series of rewinders and unwinders for self-adhesive labels on rolls, which have been developed to suit industrial applications. Constructed entirely in steel, they have a large base in order to provide a stable connection to the printer.

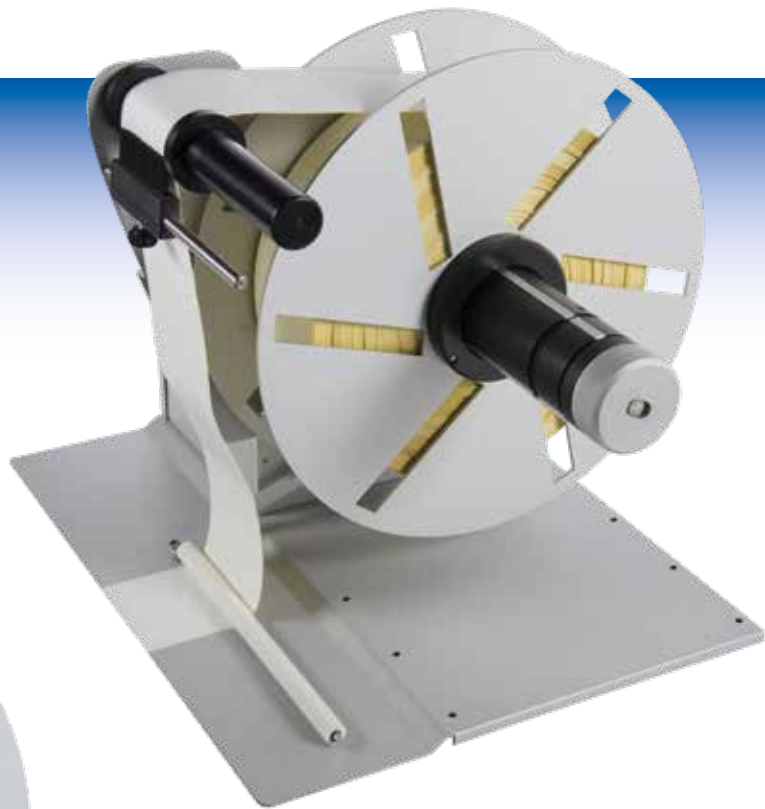


Available in 130 mm or 230 mm width versions.

The expanding mandrel allows the use of inner cores from 40 to 110 mm, and to rewind reels with an external diameter of up to 300 mm.

An innovative system to detect the position of the tensioner assembly allows the machine to follow the printer speed precisely, thus preventing paper tears and frequent stops.

Clockwise and anti-clockwise rewinding is possible, and the maximum speed range the user wishes to achieve can be selected. Power supply: 230 V or 115 V on request, no separate PSU required. The microprocessor-equipped control board also allows motor rotation to be stopped when the reel finishes, and paper breaks can also be accompanied by an acoustic warning signal.

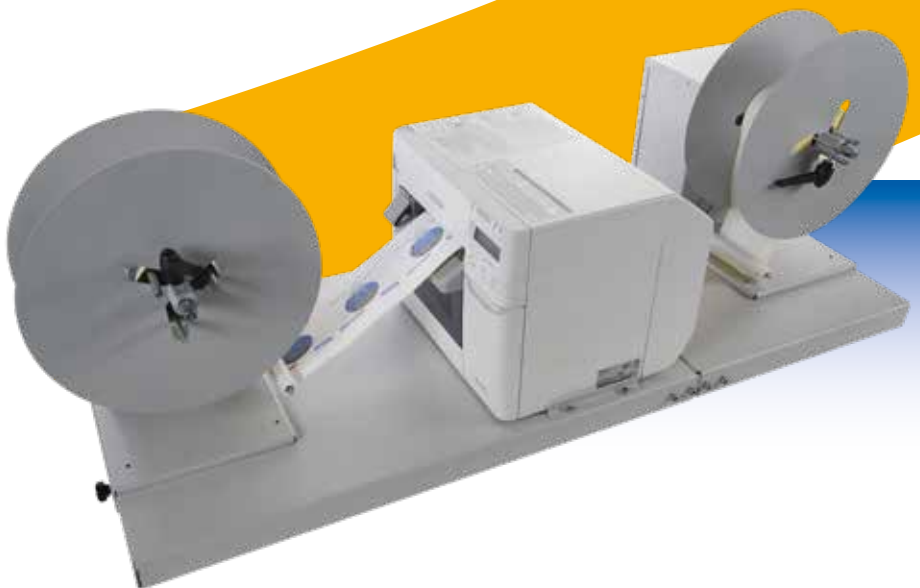


Requirements for overprinting of large volumes are ever-more present, and Wide Range has developed a complete range of unwinders and rewinders to allow the use of reels with a maximum diameter of 400 mm and maximum width of 230 mm.

The 76 mm expanding mandrel ensures that the reel core is locked tightly, guaranteeing stable alignment for the printer. The extremely solid build quality and the high-power motor allows reels with a maximum weight of 25 kg to be used. Also available for connection to all colour printers.

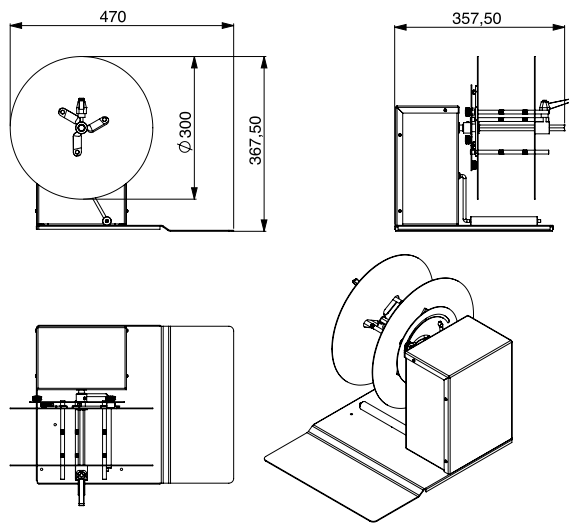
Custom colour label printing is becoming increasingly common thanks to the introduction of industrial colour printers with inkjet and laser technology. Wide Range has created a complete range of solutions for these applications which, by integrating the unwinder, the printer and the rewinder, creates units which guarantee perfect alignment and impressive run times.

The electronic control unit detects the position of the tension assembly by reversing the rotation when the printer carries out the back feed. Versions for all printers on the market, such as EPSON, VIP COLOR, PRIMERA, NEURALABEL and AFINIA, are available.

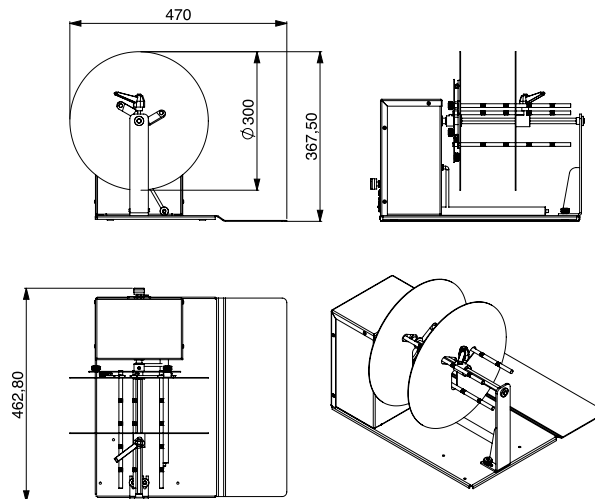


Technical specifications	RWR/UWR-S	RWR/UWR-L	RWR/UWR BIG
Max label width	130 mm	230 mm	230 mm
Speed	0-25 metres/minute	0-25 metres/minute	0-40 metres/minute
Reel diameter	300 mm	300 mm	400 mm
Mandrel diameter	40-110 mm	40-110 mm	76 mm
Power supply	230 Vac - 50 Hz	230 Vac - 50 Hz	230 Vac - 50 Hz
Power draw	30 W	30 W	150 W
Dimensions mm	360 x 470 x 370 (H)	460 x 470 x 370 (H)	550 x 500 x 480 (H)
Weight	12 Kg	15 Kg	21 Kg

RWR-S-SX



RWR-L-SX



RWR BIG

